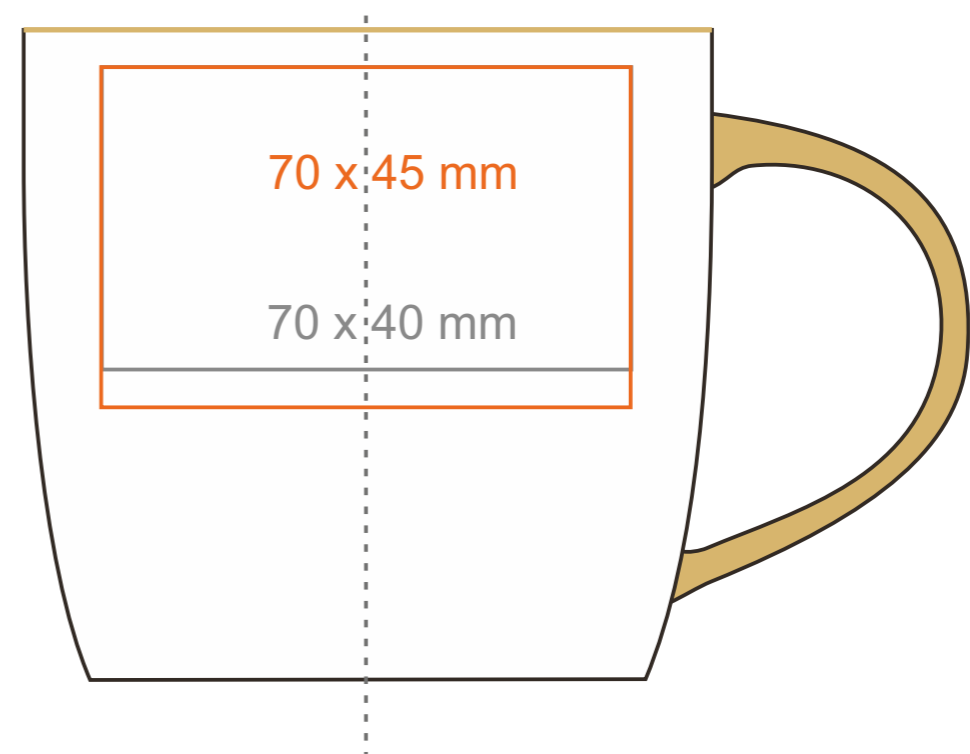
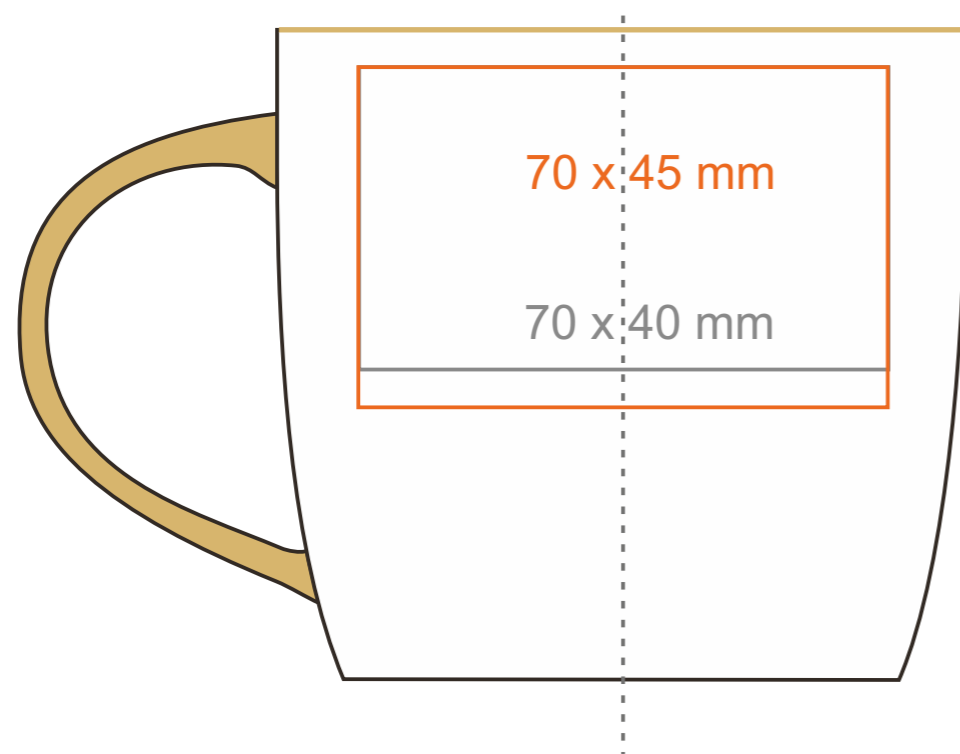
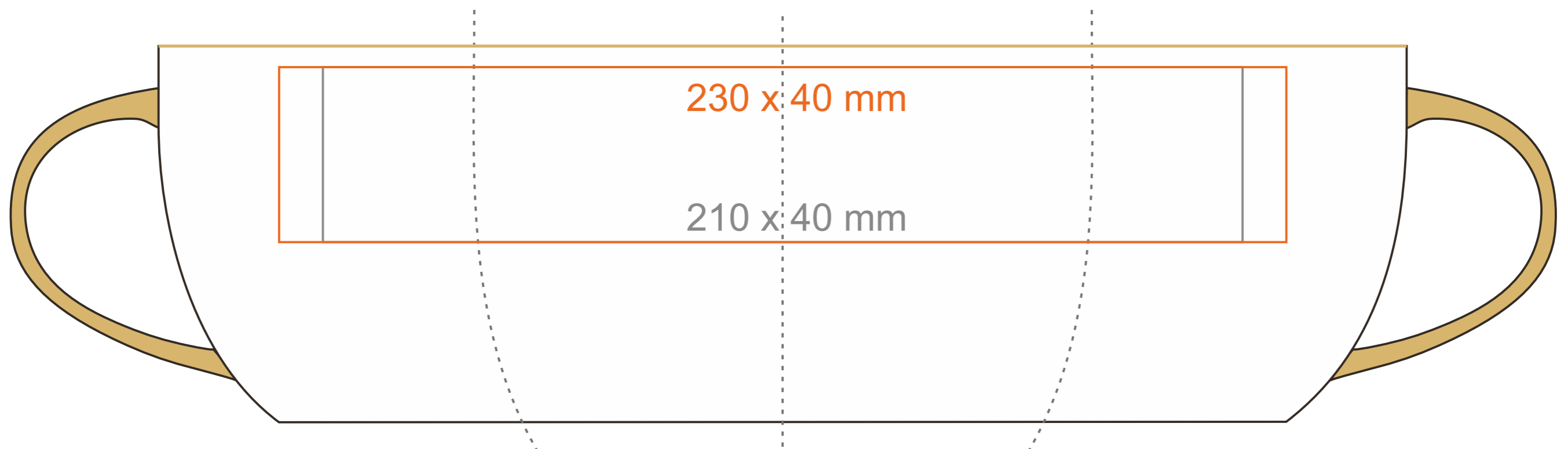


# M\_510 Handy Style

330 ml / h: 86 mm / Ø 89 mm



Imprint on the handle  
 Imprint on the inside  
 Imprint on the bottom inside  
 Imprint on the bottom outside

- 50 x 10 mm
- 50 x 20 mm
- Ø 40 mm
- Ø 45 mm

\*In the case of projects for transfer print running outside of the standard print area, please contact our sales department.

[How to prepare print material](#)

meaning

- Transfer Print
- Sensitive Touch
- Direct Print